



### Features

- Superbright & ultrabright red
- Low current requirements
- High light output
- Reliable and rugged
- IC. compatible

### Recommended Maximum Ratings

Reverse voltage	4.0V
D.C. forward current	30mA
Pulse current (10% duty cycle 0.1ms pulse width)	100mA
Operating temperature range	-25°C to +85°C
Storage temperature range	-25°C to +100°C
Lead soldering temperature (1.6mm from body)	+260°C for 5 secs.

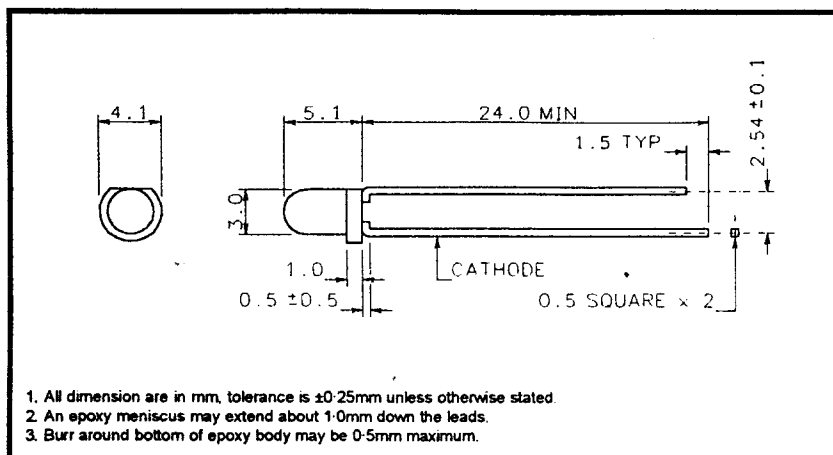
(Ta=25°C)

### Electrical & Optical Characteristics

Part Number	L.E.D. Chip		Lens Colour	Peak Wavelength @20mA(nm)	Forward Voltage @20mA(V)		Luminous Intensity @20mA(mcd)		View Angle 2θ ½ (deg)
	Material	Emitting Colour			TYP.	MAX.	MIN.	TYP.	
L 07 R 3000 G 1	GaAlAs on GaAs	Superbright Red	Red Diffused	660	1.7	2.2	72.0	180.0	54°
L 07 R 3000 G 2	GaAlAs on GaAs	Superbright Red	White Diffused	660	1.7	2.2	72.0	180.0	54°
228-4913 L 07 R 3000 G 3	GaAlAs on GaAs	Superbright Red	Water Clear	660	1.7	2.2	240.0	600.0	46°
L 07 R 3000 G 4	GaAlAs on GaAs	Superbright Red	Red Clear	660	1.7	2.2	240.0	600.0	46°
L UR R 3000 G 1	GaAlAs	Ultrabright Red	Red Diffused	660	1.7	2.2	140.0	350.0	54°
L UR R 3000 G 2	GaAlAs	Ultrabright Red	White Diffused	660	1.7	2.2	140.0	350.0	54°
228-4929 L UR R 3000 G 3	GaAlAs	Ultrabright Red	Water Clear	660	1.7	2.2	480.0	1200.0	46°
L UR R 3000 G 4	GaAlAs	Ultrabright Red	Red Clear	660	1.7	2.2	480.0	1200.0	46°

(Ta=25°C)

### Package Dimensions



### Radiation Pattern

